

# PRIMEWORLD LIMITED



## PSC RANGE

### Features

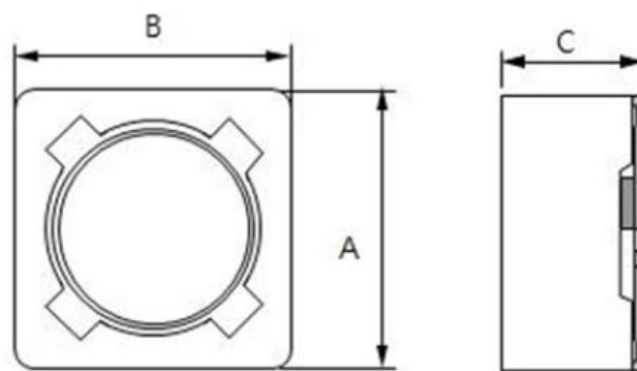
Small surface area

Lower profile version available, with height up to 1.4mm

Available in embossed tape & reel package

### Applications

Power supplies, DC-DC converters in a variety of applications where small size is vital, such as mobile phones, LCD / LED TVs, laptop/notebook PCs, etc.



SERIES	A (mm)	B (mm)	C (mm)	RANGE	RATINGS
PSC62	6.8 ± 0.3	6.2 ± 0.3	3.2 max	0.5 - 100uH	0.2 - 2.0A
PSC73	7.3 ± 0.3	7.3 ± 0.3	4.5 max	0.5 - 330uH	0.36 - 7.2A
PSC75	7.6 max	7.6 max	5.5 max	4.7 - 470uH	0.25 - 2.1A
PSC123	12.0 ± 0.4	12.0 ± 0.4	4.0 max	0.5 - 150uH	1.0 - 16A
PSC124	12.0 ± 0.4	12.0 ± 0.4	5.0 max	6.8 - 330uH	0.5 - 4.9A
PSC125	12.0 ± 0.4	12.0 ± 0.4	6.0 max	0.5 - 100uH	1.4 - 16A
PSC126	12.0 ± 0.4	12.0 ± 0.4	7.0 max	4.7 - 1000uH	0.5 - 5.0A
PSC127	12.0 ± 0.4	12.0 ± 0.4	8.0 max	1.2 - 47uH	2.5 - 10A
PSC129	12.0 ± 0.5	12.0 ± 0.5	10.0 max	1.0 - 3300uH	0.2 - 14A

Detail specifications are available upon request.

## PRIMEWORLD LIMITED

Derwent, Sawbridgeworth Road, Hatfield Heath, Bishop's Stortford, HERTS, CM22 7DR

Tel: 01279 730031

sales@primeworld.co.uk

www.primeworld.co.uk